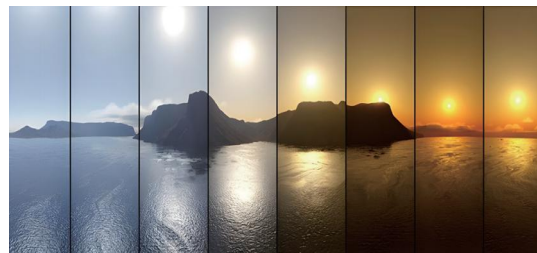


Sun Simulator Light

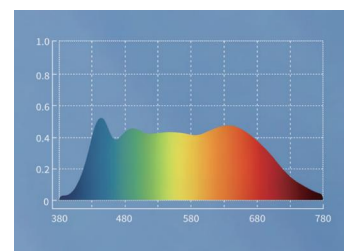
Under the sky, human beings and nature coexist for millions of years. Sunshine, air and water are called the three elements of life, which play a vital role in people's physical and mental health. Sky lighting, the sun simulator, can be simulated indoor sunlight, anytime and anywhere for people to bring sunlight.



01



Smart Control

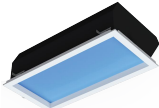
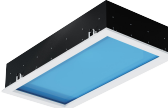
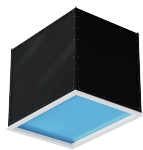



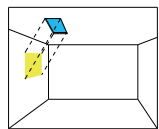
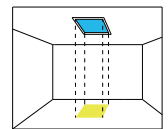
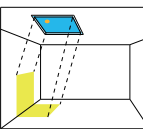
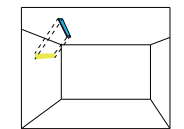
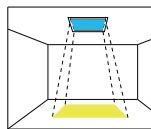
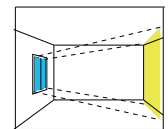


Sun Simulator Light

Applications



02

Serial Number	D Series	E Series	T Series	L Series	P Series	X Series
Product Picture						
Angle of emergence Schematic drawing	 Oblique Illumination	 Straight Illumination	 Oblique Illumination	 Oblique Illumination	 Straight Illumination	 Straight Illumination
Blue sky	●	●	●	●	●	●
White cloud	○	●	○	○	○	○
Sun	○	○	●	○	○	○
Facula line	○	○	●	○	○	○
Design Recommendation	Oblique Illumination Angle is 30°	Straight Illumination Sun Follow up	Oblique Illumination seen that the lightspots on the sun Sun follow up Spot Line Visible	Linear Lighting Angle is 30°	Sky Light	Window Light

Sun Simulator Light

D series



03



No Flicker



Ra93



30000h



100-240V



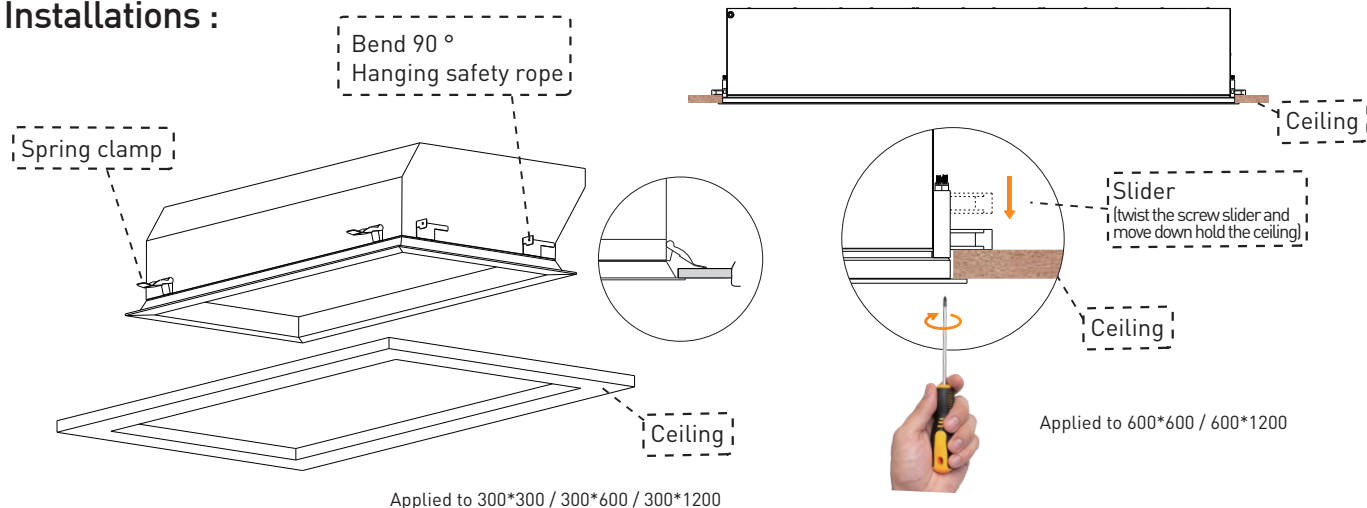
For Indoor



0.5

Model No. 产品规格	Dimension WxHxT(mm)	Rated Power 额定功率	Hole Size 开孔尺寸(mm)	Light Surface 发光面尺寸(mm)	Lumen 光通量	Color Temp. 色温	PCS/CTN 装箱数量	CTN MEAS. 装箱尺寸(cm)
XGYSSL-YRD3030-E25	300*300*150	25W	285*285	244*244	1000lm	2100-7800K	1	32*32*17
XGYSSL-YRD3060-E50	300*600*150	50W	285*585	244*544	2000lm	2100-7800K	1	62*32*17
XGYSSL-YRD30120-E100	300*1200*150	100W	285*1185	244*1144	4000lm	2100-7800K	1	122*32*17
XGYSSL-YRD6060-E75	600*600*295	75W	585*585	500*500	3000lm	2100-7800K	1	62*62*17
XGYSSL-YRD60120-E150	600*1200*295	150W	585*1185	500*1100	6000lm	2100-7800K	1	122*62*17

Installations :



Sun Simulator Light

E series



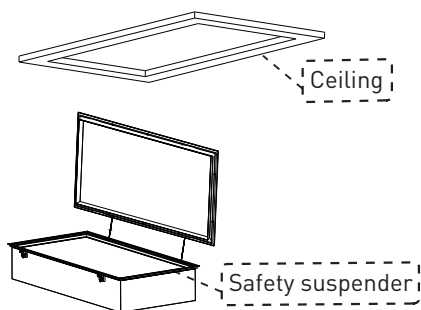
04



Model No. 产品规格	Dimension WxHxT (mm)	Rated Power 额定功率	Hole Size 开孔尺寸 (mm)	Light Surface 发光面尺寸 (mm)	Lumen 光通量	Color Temp. 色温	PCS/CTN 装箱数量	CTN MEAS. 装箱尺寸 (cm)
XGYSSL-YRE6060-E150	600*600*220	150W	585*585	500*500	5000lm	2100-7500K	1	62*62*24
XGYSSL-YRE60120-E300	600*1200*220	300W	585*1185	500*1100	10000lm	2100-7500K	1	122*62*24
XGYSSL-YRED60-E150	Φ600*220	150W	Φ585	Φ500	5000lm	2100-7500K	1	62*62*24
XGYSSL-YRED120-E500	Φ1200*220	500W	Φ1185	Φ1100	15000lm	2100-7500K	1	122*122*24

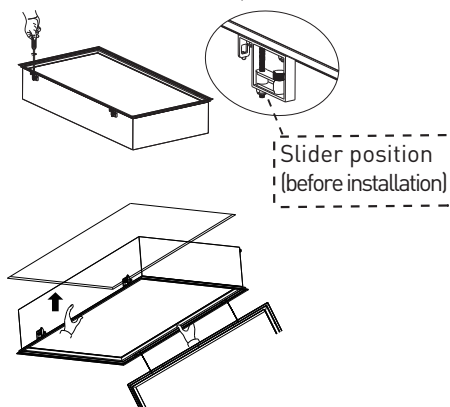
Installations :

① Open the installation hole on the ceiling



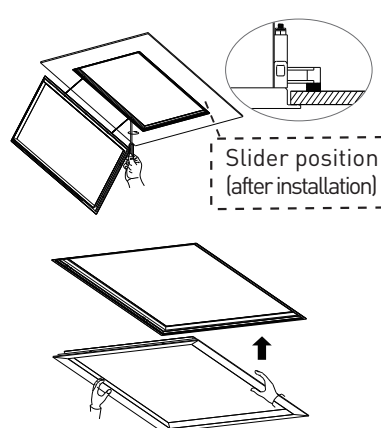
② Turn the front cabinet upside down and open it

③ Factory default position
(if not, turn the screws counterclockwise in the middle of the three screws)



④ Align with the opening in the ceiling and push the lamp up so that the center frame of the lamp is tight to the ceiling

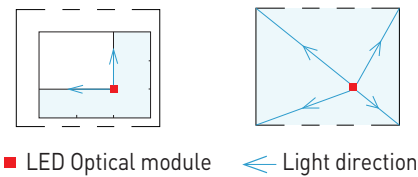
⑤ Twist the four sliders to tighten
(the middle screw of the three screws clockwise)



⑥ Buckle the top plate

Sun Simulator Light

T series



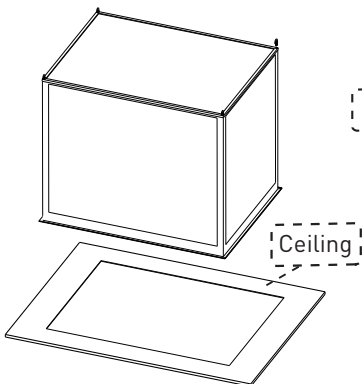
05



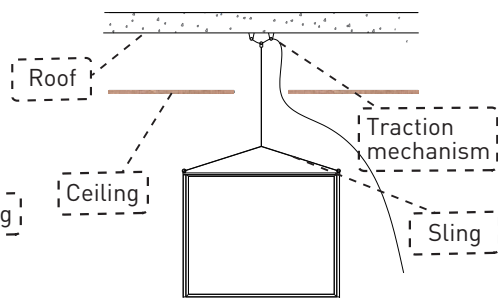
Model No. 产品规格	Dimension WxHxT(mm)	Rated Power 额定功率	Hole Size 开孔尺寸(mm)	Light Surface 发光面尺寸(mm)	Lumen 光通量	Color Temp. 色温	PCS/CTN 装箱数量	CTN MEAS. 装箱尺寸(cm)
XGYSSL-YRT6060-E300	600*600*450	300W	580*580	500*500	10000lm	6500K	1	62*62*47
XGYSSL-YRT94124-E500	940*1240*800	500W	1220*920	1120*820	20000lm	6500K	1	126*96*82
XGYSSL-YRT5060-E300	Φ600*380	300W	Φ585	Φ500	10000lm	6500K	1	62*62*40
XGYSSL-YRT100120-E500	Φ1200*680	500W	Φ1185	Φ1100	20000lm	6500K	1	122*120*70

Installations :

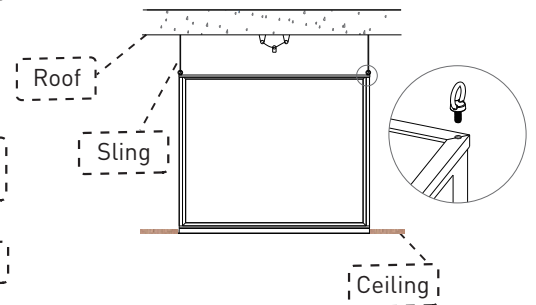
① Press the hole in the ceiling



② Attach a traction system to the top of the wall to raise the light fixtures to level with the ceiling



③ Fixed 4 safety Sling



Warning:

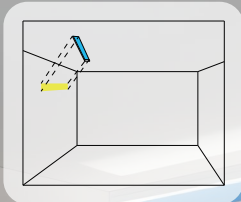
The N.W. of the product is 50KG. Pay attention to the load-bearing installation. The ceiling height is reserved for >1.2M (Reserved maintenance port)

Sun Simulator Light



L series

Oblique Illumination



06



No Flicker



Ra93



30000h



220V



For Indoor

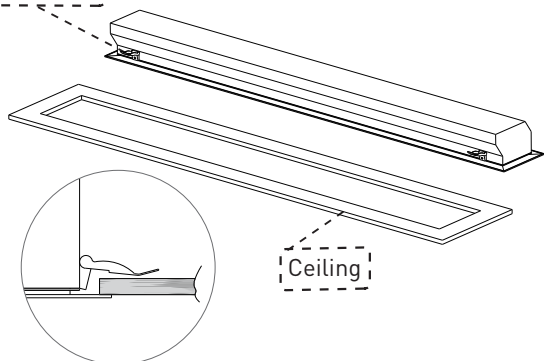


0.5

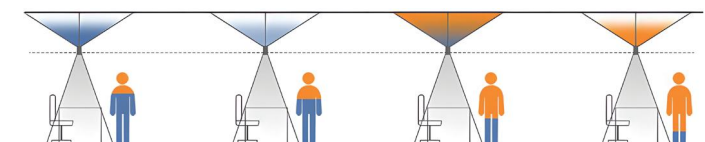
Model No. 产品规格	Dimension WxHxT(mm)	Rated Power 额定功率	Hole Size 开孔尺寸(mm)	Light Surface 发光面尺寸(mm)	Lumen 光通量	Color Temp. 色温	PCS/CTN 装箱数量	CTN MEAS. 装箱尺寸(cm)
XGYSSL-YRL14115-E50	140*1150*86	50W	125*1135	86*1096	2000lm	2100-7800K	1	142*1170*90

Installations :

Spring clamp



Ceiling



Morning Noon Nightfall Evening



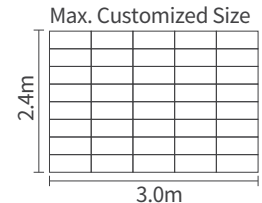
Sun Simulator Light



P&X series



Ultra thin P Series



Ceiling Frame

- ☒ C Shaped Reflection
- ☒ Customizable Frame Outlook

07

Window X Series



- ☒ L Shaped Reflection
- ☒ Customizable Frame Outlook

Recommended Control:

• Remote Control



• Smart Control



No Flicker



Ra93



30000h



100-240V



For Indoor



0.5

Model No. 产品规格	Dimension WxHxT(mm)	Rated Power 额定功率	Hole Size 开孔尺寸(mm)	Light Surface 发光面尺寸(mm)	Lumen 光通量	Color Temp. 色温	PCS/CTN 装箱数量	CTN MEAS. 装箱尺寸(cm)
XGYSSL-YRP3060-E45	582*282*36	45W	Used in conjunction with X1 keel	527*227	2500lm	2100-5700K	1	60.2*30.2*5.6
XGYSSL-YRX13078-E160	1332*781*60	160W	1332*771	4*(527*227)	10000lm	2100-5700K	1	135.2*80.1*8