

LED Panels & Downlight



LED Backlit - Standard & Ultra Slim



UGR<19
Optional

01



Standard

Ultra Slim



CB CE ErP 



No Flicker



Ra80/90



50000h



S:220V-240V
U:100V-240V



For Indoor



112°



0.5/0.9

Model No. 产品规格	Dimension WxLxH(mm)	Rated Power 额定功率	Lumen Efficacy 光效	Color Temp. 色温	Frame Color 外框颜色	PCS/CTN 装箱数量	CTN MEAS. 装箱尺寸(cm)
XGYPL-BE-6060-E40 XGYPL-BEUS-6060-E40	595*595*30 595*595*27	24-60W (Isolated)	80-180 lm/W	3000K-6500K	White	6	61.5*21.5*64
XGYPL-BE-30120-E40 XGYPL-BEUS-30120-E40	295*1195*30 295*1195*27	24-60W (Isolated)	80-180 lm/W	3000K-6500K	White	6	125*22.5*34
XGYPL-BE-60120-E60 XGYPL-BEUS-60120-E60	595*1195*30 595*1195*27	24-60W (Isolated)	80-180 lm/W	3000K-6500K	White	6	125*22.5*61

 Lumen Efficacy is Customizable

LED Panels & Downlight



LED Backlit - US



02



CB CE ErP



No Flicker



Triac Dimming
0-10V Dimming



Ra80/90



50000h



S:220V-240V
U:100V-240V



For Indoor



112°



0.5/0.9

Model No. 产品规格	Dimension WxLxH(mm)	Rated Power 额定功率	Lumen Efficacy 光效	Color Temp. 色温	Frame Color 外框颜色	PCS/CTN 装箱数量	CTN MEAS. 装箱尺寸(cm)
XGYPL-BEUSCCT-6060-E40	603*603*32	20-40W (Isolated)	110-150 lm/W	3000K/4000K/5000K	White	2	66.5*9.5*67
XGYPL-BEUSCCT-30120-E40	303*1213*32	20-40W (Isolated)	110-150 lm/W	3000K/4000K/5000K	White	2	126.5*9.5*37
XGYPL-BEUSCCT-60120-E60	603*1213*32	20-40W (Isolated)	110-150 lm/W	3000K/4000K/5000K	White	2	126.5*9.5*67

Lumen Efficacy is Customizable

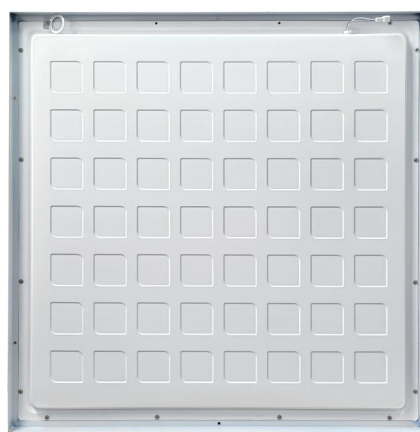
LED Panels & Downlight



LED Backlit - Korean



03



CB CE ErP



Ra80/90



50000h



S:220V-240V
U:100V-240V



For Indoor



112°



0.5/0.9

Model No. 产品规格	Dimension WxLxH(mm)	Rated Power 额定功率	Lumen Efficacy 光效	Color Temp. 色温	Frame Color 外框颜色	PCS/CTN 装箱数量	CTN MEAS. 装箱尺寸(cm)
XGYPL-BE-3030-E20	300*300*30	20W	90-140 lm/W	4000K/5700K/6500K	White	6	31.5*20.5*32
XGYPL-BE-5252-E40	520*520*30	40/50W	90-140 lm/W	4000K/5700K/6500K	White	6	53.5*20.5*54
XGYPL-BE-6422-E25	640*220*30	25W	90-140 lm/W	4000K/5700K/6500K	White	6	65.5*20.5*24
XGYPL-BE-6432-E25	640*320*30	25W	90-140 lm/W	4000K/5700K/6500K	White	6	65.5*20.5*34
XGYPL-BE-6464-E40	640*640*30	40/50W	90-140 lm/W	4000K/5700K/6500K	White	6	65.5*20.5*66
XGYPL-BE-7040-E40	700*400*32	40/50W	90-140 lm/W	4000K/5700K/6500K	White	6	71.5*20.5*42
XGYPL-BE-22128-E40	220*1280*32	40/50W	90-140 lm/W	4000K/5700K/6500K	White	6	129.5*20.5*24
XGYPL-BE-32128-E40	320*1280*32	40/50W	90-140 lm/W	4000K/5700K/6500K	White	6	129.5*20.5*34

Lumen Efficacy is Customizable

LED Panels & Downlight



LED Side Emission



 UGR<19
Optional

04



Side Emission



CB CE ErP 



No Flicker



Ra80/90



50000h



S:220V-240V
U:100V-240V



For Indoor



112°



0.5/0.9

Model No. 产品规格	Dimension WxLxH(mm)	Rated Power 额定功率	Lumen Efficacy 光效	Color Temp. 色温	Frame Color 外框颜色	PCS/CTN 装箱数量	CTN MEAS. 装箱尺寸(cm)
XGYPL-SE-6060-E40	595*595*9	24-60W (Isolated)	80-160 lm/W	3000K-6500K	White	5	63.5*17.5*67
XGYPL-SE-6262-E40	620*620*9	24-60W (Isolated)	80-160 lm/W	3000K-6500K	White	5	63.5*17.5*67
XGYPL-SE-30120-E40	295*1195*9	24-60W (Isolated)	80-160 lm/W	3000K-6500K	White	5	123.5*17.5*37
XGYPL-SE-60120-E60	595*1195*9	50-72W (Isolated)	80-160 lm/W	3000K-6500K	White	5	123.5*17.5*67

 Lumen Efficacy is Customizable

LED Panels & Downlight



LED Side Emission US



05



CB CE ErP



No Flicker



Dimmable Option



Ra80/90



50000h



U:100V-277V



For Indoor



112°



0.9

Model No. 产品规格	Dimension WxL(mm)	Rated Power 额定功率	Lumen Efficacy 光效	Color Temp. 色温	Frame Color 外框颜色	PCS/CTN 装箱数量	CTN MEAS. 装箱尺寸(cm)
XGYPL-SE-3030-E12	303*303	12W	110-150 lm/W	3000K-5000K	White	12	64*26.5*35.5
XGYPL-SE-3060-E24	303*603	24W	110-150 lm/W	3000K-5000K	White	6	65*26.5*32.5
XGYPL-SE-6060-E40	603*603	40/48/60W	110-150 lm/W	3000K-5000K	White	6	63.5*26.5*67.5
XGYPL-SE-30120-E40	303*1213	40/48/60W	110-150 lm/W	3000K-5000K	White	6	127*26.5*34
XGYPL-SE-60120-E60	603*1213	60/72W	110-150 lm/W	3000K-5000K	White	6	127*26.5*64

Lumen Efficacy is Customizable

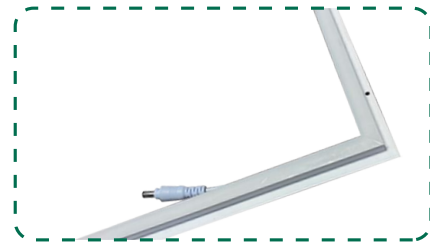
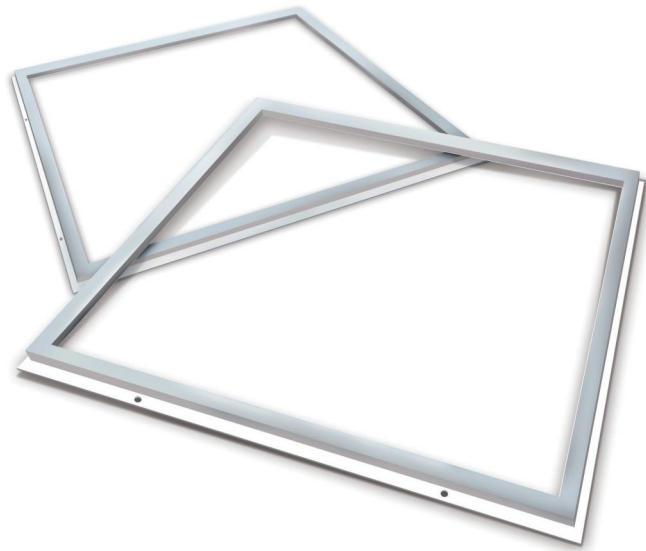
LED Panels & Dowlight



LED Frame Panel Light



06



CB CE ErP 



No Flicker



Dimmable
Option



Ra80/90



50000h



S:220V-240V
U:100V-240V



For Indoor



85°



0.5/0.9

Model No. 产品规格	Dimension WxLxH(mm)	Rated Power 额定功率	Lumen Efficacy 光效	Color Temp. 色温	Frame Color 外框颜色	PCS/CTN 装箱数量	CTN MEAS. 装箱尺寸(cm)
XGYFPL-6060-E40	591*591*11 601*601*11 614*614*11	40-60W (Isolated)	80-160 lm/W	3000K-6500K	White	10	63*33.5*63.5

 Lumen Efficacy is Customizable

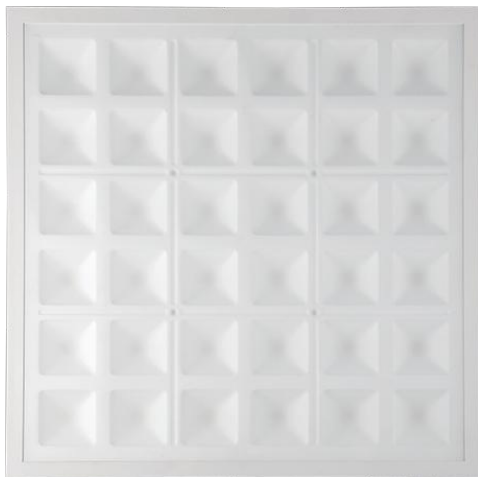
LED Panels & Downlight



LED Backlit Panel - UGR<16



07



CB CE ErP 



No Flicker



Ra80/90



50000h



S:220V-240V
U:100V-240V



For Indoor



85°



0.5/0.9



UGR<16

Model No. 产品规格	Dimension WxLxH(mm)	Rated Power 额定功率	Lumen Efficacy 光效	Color Temp. 色温	Frame Color 外框颜色	PCS/CTN 装箱数量	CTN MEAS. 装箱尺寸(cm)
XGYPL-BE-6060-E40	595*595*32	24-60W (Isolated)	80-150 lm/W	3000K-6500K	White	6	61.5*21.5*64
XGYPL-BE-30120-E40	295*1195*32	24-60W (Isolated)	80-150 lm/W	3000K-6500K	White	6	125*22.5*34
XGYPL-BE-60120-E60	595*1195*32	50-60W (Isolated)	80-150 lm/W	3000K-6500K	White	6	125*22.5*61

 Lumen Efficacy is Customizable

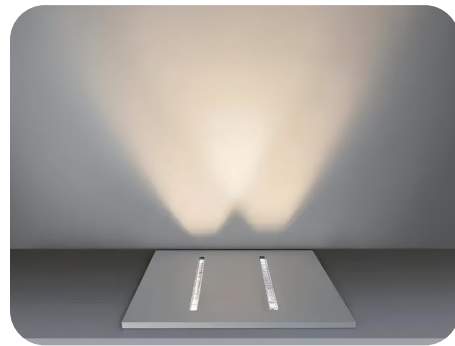
LED Panels & Dowlight



LED Backlit Grid Panel - UGR<13



08



CB CE ErP



No Flicker



Ra80/90



50000h



S:220V-240V
U:100V-240V



For Indoor



60°



0.5/0.9



UGR<13

Model No. 产品规格	Dimension WxLxH(mm)	Rated Power 额定功率	Lumen Efficacy 光效	Color Temp. 色温	Frame Color 外框颜色	PCS/CTN 装箱数量	CTN MEAS. 装箱尺寸(cm)
XGYPL-BG-6060-E40	595*595*30	18-32W (Isolated)	80-180 lm/W	3000K-6500K	White	6	61.5*21.5*64
XGYPL-BG-30120-E40	295*1195*30	18-32W (Isolated)	80-180 lm/W	3000K-6500K	White	6	125*22.5*34

Lumen Efficacy is Customizable

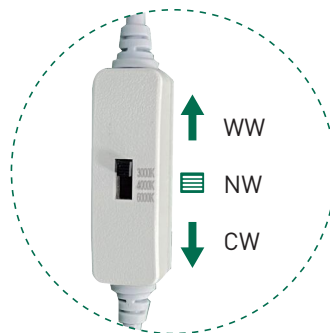
LED Panels & Downlight



CCT Dip Switch - Slim & Backlit



09



Selectable CCT Option



CB CE ErP



No Flicker



Ra80/90



50000h



S:220V-240V
U:100V-240V



For Indoor



85°



0.5/0.9



UGR<19

Model No. 产品规格	Dimension WxLxH(mm)	Rated Power 额定功率	Lumen Efficacy 光效	Color Temp. 色温	Frame Color 外框颜色	PCS/CTN 装箱数量	CTN MEAS. 装箱尺寸(cm)
XGYPL-SE-6060-E40 XGYPL-BE-6060-E40	595*595*9 595*595*30	24-60W (Isolated)	80-180 lm/W	3000K-6500K	White	6	61.5*21.5*64
XGYPL-SE-6262-E40 XGYPL-BE-6262-E40	620*620*9 620*620*30	24-60W (Isolated)	80-180 lm/W	3000K-6500K	White	6	63.5*18.5*64
XGYPL-SE-30120-E40 XGYPL-BE-30120-E40	295*1195*9 295*1195*30	24-60W (Isolated)	80-180 lm/W	3000K-6500K	White	6	125*22.5*34
XGYPL-SE-60120-E60 XGYPL-BE-60120-E60	595*1195*9 595*1195*30	50-60W (Isolated)	80-180 lm/W	3000K-6500K	White	6	121*18.5*64

Lumen Efficacy is Customizable

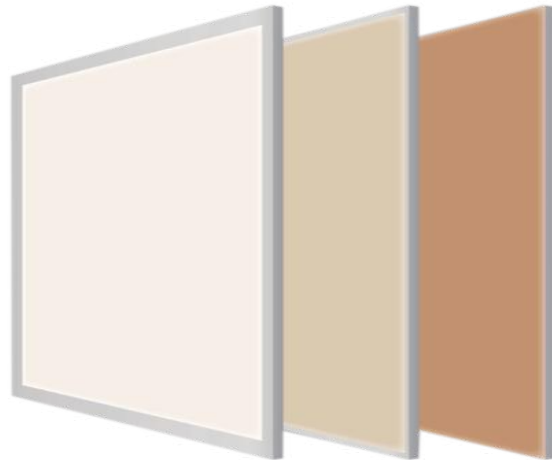
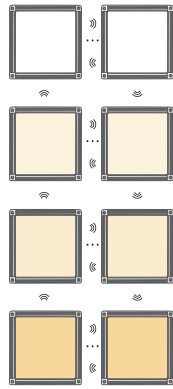
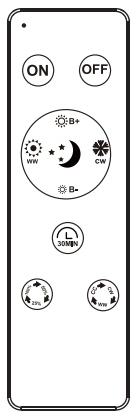
LED Panels & Downlight



CCT Tunnable - Slim & Backlit



10



CB CE ErP



No Flicker



Ra80/90



50000h



S:220V-240V
U:100V-240V



For Indoor



112°



0.5/0.9

Model No. 产品规格	Dimension WxLxH(mm)	Rated Power 额定功率	Lumen Efficacy 光效	Color Temp. 色温	Frame Color 外框颜色	PCS/CTN 装箱数量	CTN MEAS. 装箱尺寸(cm)
XGYPL-SE-6060-E40 XGYPL-BE-6060-E40	595*595*9 595*595*30	24-60W (Isolated)	80-180 lm/W	3000K-6500K	White	6	61.5*21.5*64
XGYPL-SE-6262-E40 XGYPL-BE-6262-E40	620*620*9 620*620*30	24-60W (Isolated)	80-180 lm/W	3000K-6500K	White	6	63.5*18.5*64
XGYPL-SE-30120-E40 XGYPL-BE-30120-E40	295*1195*9 295*1195*30	24-60W (Isolated)	80-180 lm/W	3000K-6500K	White	6	125*22.5*34
XGYPL-SE-60120-E60 XGYPL-BE-60120-E60	595*1195*9 595*1195*30	50-60W (Isolated)	80-180 lm/W	3000K-6500K	White	6	121*18.5*64

Lumen Efficacy is Customizable

LED Panels & Downlight



IP65 - Slim & Backlit



IP65
PROTECTION
LEVEL

11



Slim Panel



Backlit Panel

CB CE ErP 



No Flicker



Ra80/90



50000h



S:220V-240V
U:100V-240V



For Indoor



112°



0.5/0.9

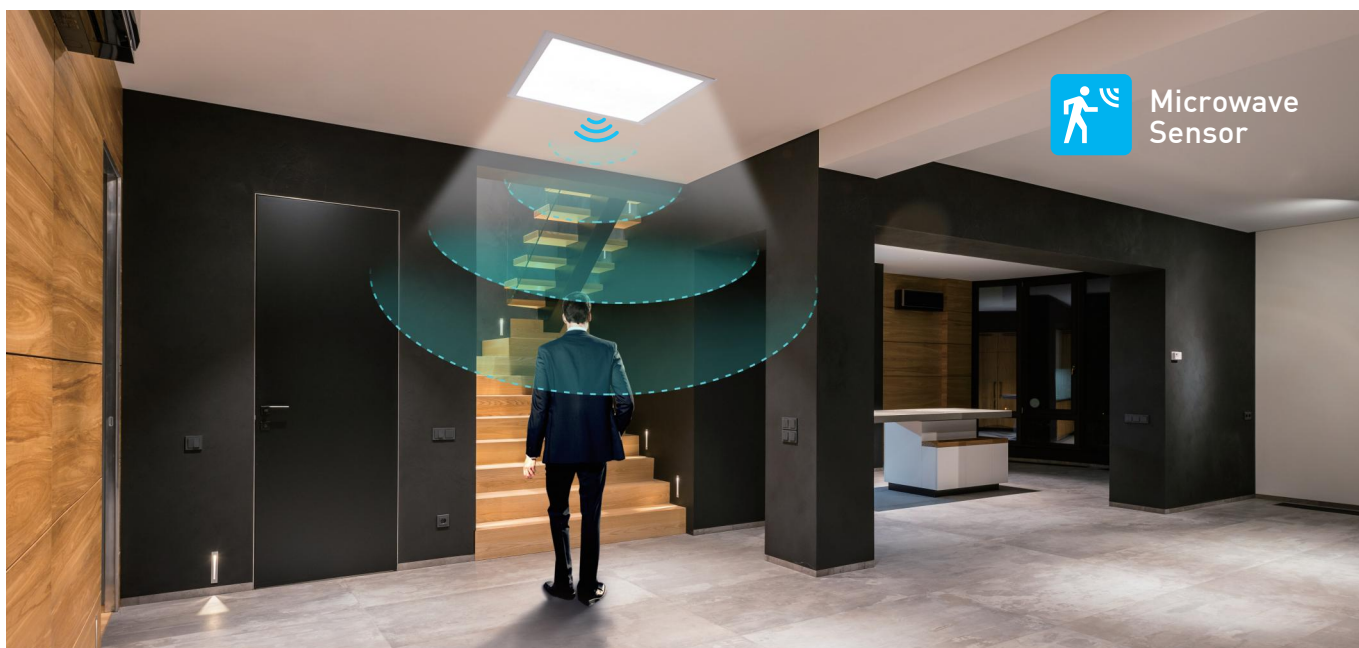
Model No. 产品规格	Dimension WxLxH(mm)	Rated Power 额定功率	Lumen Efficacy 光效	Color Temp. 色温	Frame Color 外框颜色	PCS/CTN 装箱数量	CTN MEAS. 装箱尺寸(cm)
XGYPL-SE-6060-E40 XGYPL-BE-6060-E40	595*595*9 595*595*30	24-60W (Isolated)	80-180 lm/W	3000K-6500K	White	6	61.5*21.5*64
XGYPL-SE-6262-E40 XGYPL-BE-6262-E40	620*620*9 620*620*30	24-60W (Isolated)	80-180 lm/W	3000K-6500K	White	6	63.5*18.5*64
XGYPL-SE-30120-E40 XGYPL-BE-30120-E40	295*1195*9 295*1195*30	24-60W (Isolated)	80-180 lm/W	3000K-6500K	White	6	125*22.5*34
XGYPL-SE-60120-E60 XGYPL-BE-60120-E60	595*1195*9 595*1195*30	50-60W (Isolated)	80-180 lm/W	3000K-6500K	White	6	121*18.5*64

 Lumen Efficacy is Customizable

LED Panels & Downlight



Microwave Sensor - Slim & Backlit



12



Slim Panel



Backlit Panel

CB CE ErP

- No Flicker
- Ra80/90
- 50000h
- S:220V-240V
U:100V-240V
- For Indoor
- 112°
- 0.5/0.9

Model No. 产品规格	Dimension WxLxH(mm)	Rated Power 额定功率	Lumen Efficacy 光效	Color Temp. 色温	Frame Color 外框颜色	PCS/CTN 装箱数量	CTN MEAS. 装箱尺寸(cm)
XGYPL-SE-6060-E40 XGYPL-BE-6060-E40	595*595*9 595*595*30	24-60W (Isolated)	80-180 lm/W	3000K-6500K	White	6	61.5*21.5*64
XGYPL-SE-6262-E40 XGYPL-BE-6262-E40	620*620*9 620*620*30	24-60W (Isolated)	80-180 lm/W	3000K-6500K	White	6	63.5*18.5*64
XGYPL-SE-30120-E40 XGYPL-BE-30120-E40	295*1195*9 295*1195*30	24-60W (Isolated)	80-180 lm/W	3000K-6500K	White	6	125*22.5*34
XGYPL-SE-60120-E60 XGYPL-BE-60120-E60	595*1195*9 595*1195*30	50-60W (Isolated)	80-180 lm/W	3000K-6500K	White	6	121*18.5*64

Lumen Efficacy is Customizable

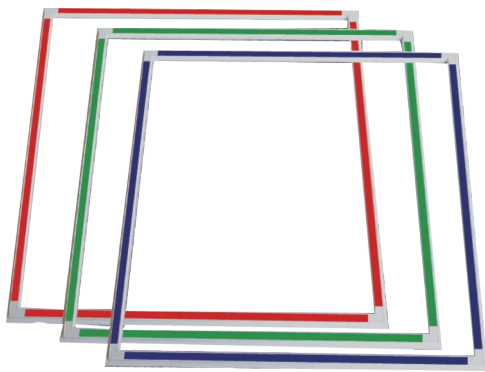
LED Panels & Downlight



RGBCW - Slim & Backlit & Frame Light



13



Frame Light



Slim Panel

CB CE ErP



No Flicker



Ra80/90



50000h



S:220V-240V
U:100V-240V



For Indoor



112°



0.5/0.9

Model No. 产品规格	Dimension WxLxH(mm)	Rated Power 额定功率	Lumen Efficacy 光效	Color Temp. 色温	Frame Color 外框颜色	PCS/CTN 装箱数量	CTN MEAS. 装箱尺寸(cm)
XGYPL-SE-6060-E40 XGYPL-BE-6060-E40	595*595*9 595*595*30	24-60W (Isolated)	100 lm/W	RGB+2700-6500K	White	6	61.5*21.5*64
XGYPL-SE-30120-E40 XGYPL-BE-30120-E40	295*1195*9 295*1195*30	24-60W (Isolated)	100 lm/W	RGB+2700-6500K	White	6	125*22.5*34
XGYPL-SE-60120-E60 XGYPL-BE-60120-E60	595*1195*9 595*1195*30	50-72W (Isolated)	100 lm/W	RGB+2700-6500K	White	6	61.5*21.5*64
XGYFPL-6060-E40	591*591*11 601*601*11	40W (Isolated)	100 lm/W	RGB+2700-6500K	White	10	63*33.5*64

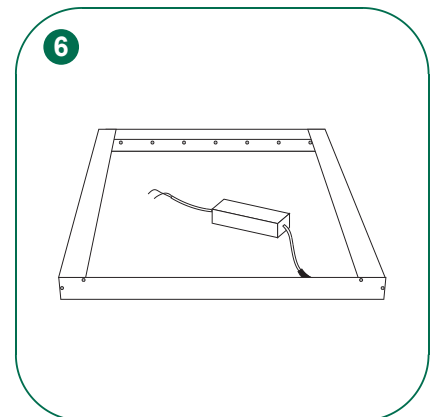
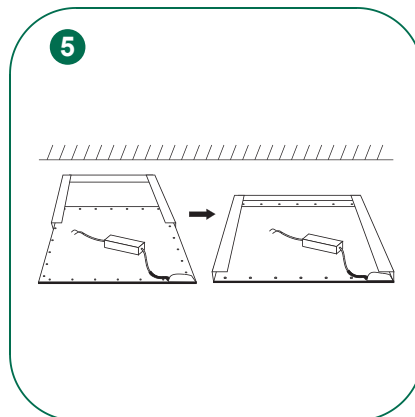
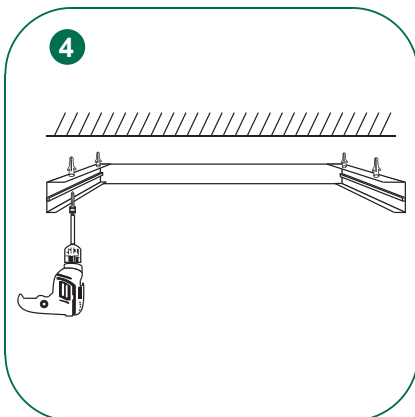
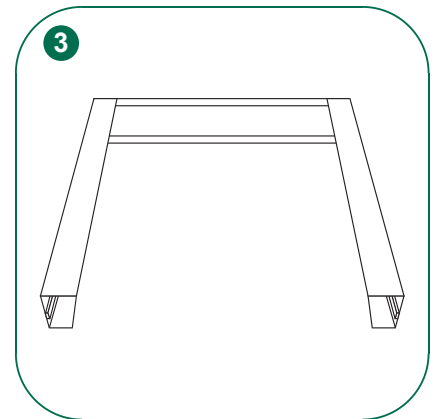
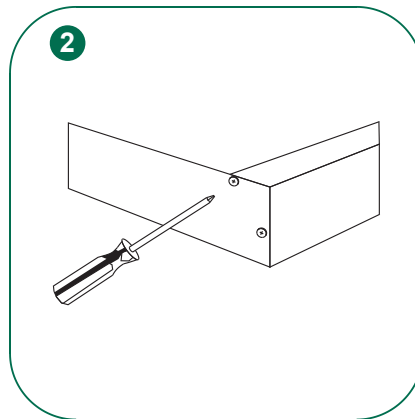
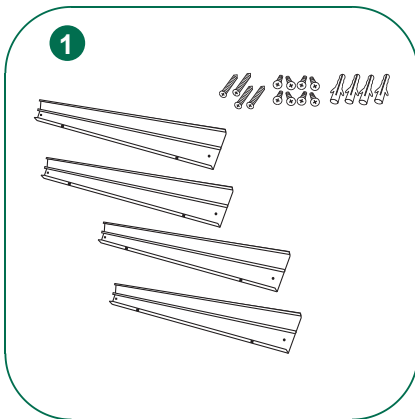
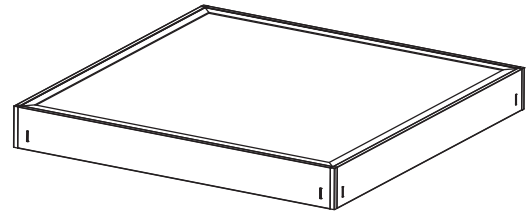
Lumen Efficacy is Customizable

Installation

Surface Mounting Frame A

Panel Size	Frame size	Connection type
295*295*32mm	300*300*65mm	Snap-on/Screw
295*595*32mm	300*600*65mm	Snap-on/Screw
595*595*32mm	600*600*65mm	Snap-on/Screw
295*1195*32mm	300*1200*65mm	Snap-on/Screw
595*1195*32mm	600*1200*65mm	Snap-on/Screw
620*620*32mm	625*625*65mm	Snap-on/Screw

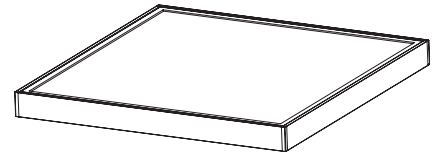
- Distinguished from integral frame, assemblable with parts
- Suitable for integral solid ceiling installation
- Small packaging size, easy transportation, saving freight cost



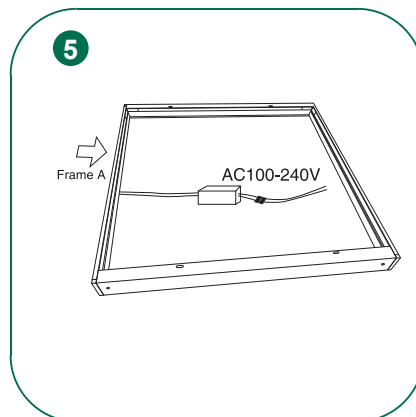
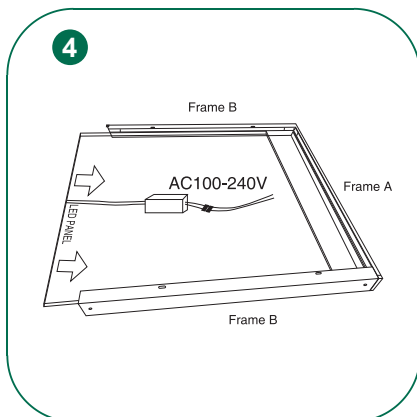
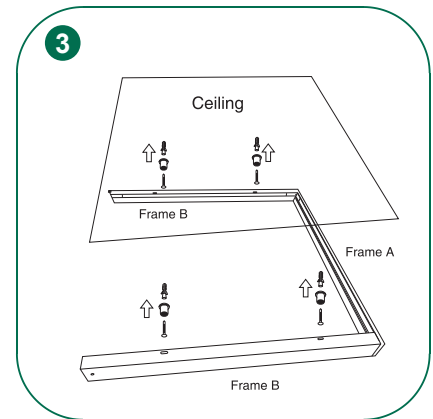
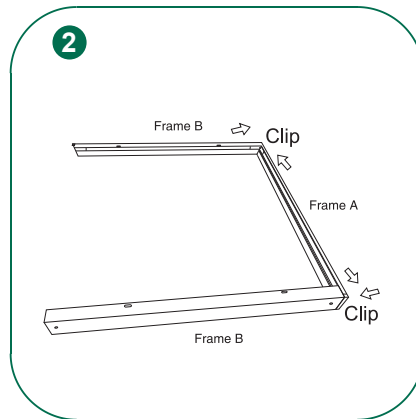
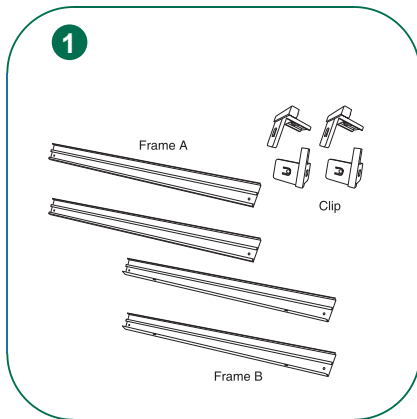
Surface Mounting Frame B

Panel Size	Frame size	Connection type
295*295*9mm	300*300*43mm	Snap-on
295*595*9mm	300*600*43mm	Snap-on
595*595*9mm	600*600*43mm	Snap-on
295*1195*9mm	300*1200*43mm	Snap-on
595*1195*9mm	600*1200*43mm	Snap-on
620*620*9mm	625*625*43mm	Snap-on

- Distinguished from integral frame, assemblable with parts
- Easier installation, clean appearance, no screw can be seen
- Small packaging size, easy transportation, saving freight cost

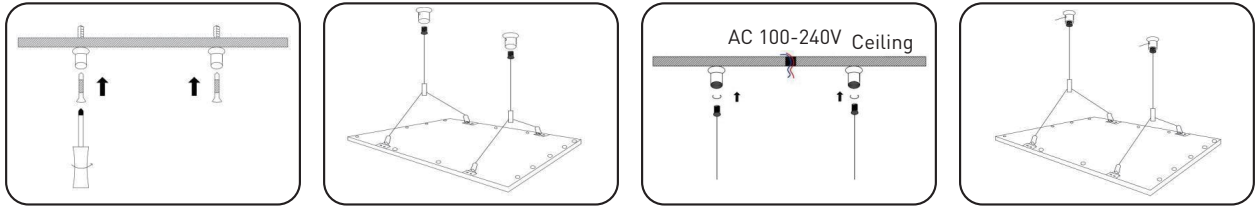


15

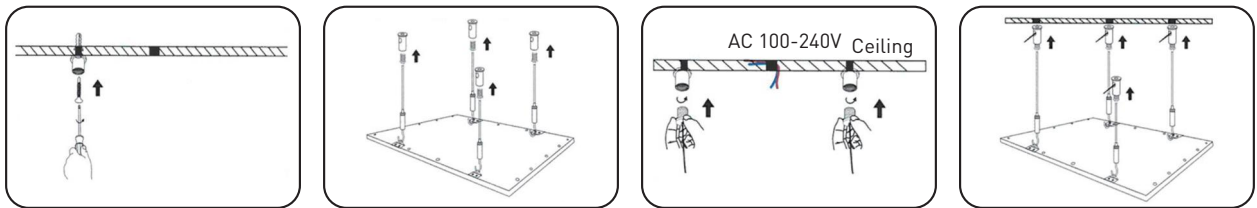


Installation

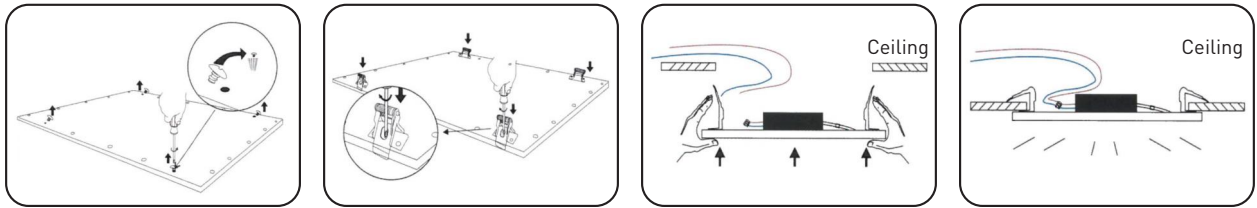
Suspension Wire (Y-shaped)



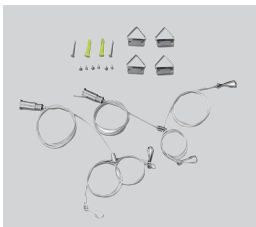
Suspension Wire (I-shaped)



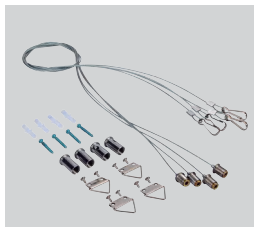
Spring clips



Accessories



Suspension Wire (Y-shaped)
2pcs/set 3pcs/set
main cable: 0.8m
branch cable: 0.8m(0.4m each side)



Suspension Wire (I-shaped)
4pcs/set 6pcs/set
main cable: 1m



Spring clips
L49.4*W30*H19mm



Connection box
L73*W27*H30mm
2pin



Connection box
L76*W39.25*H22.5mm
3pin



GST-18 plug



Euro plug



SAA plug



South African plug

LED Panels & Downlight



LED DOB Backlit



IP20
PROTECTION LEVEL



3000K

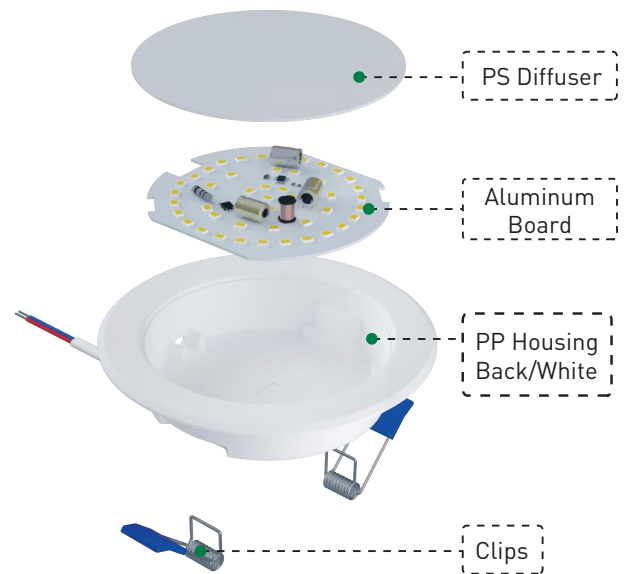
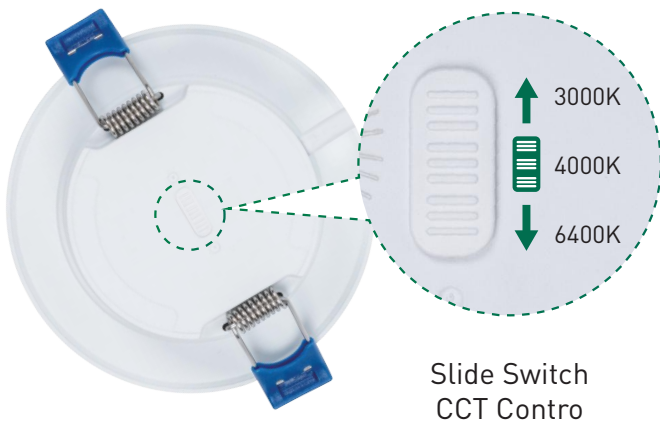
4000K

6400K

Suspended Mounting

17

Features



CB CE ErP



No Flicker



Ra80



25000h



S:220V-240V
U:85-265V



For Indoor



120°



0.5



Recessed Mounting

Suspended Mounting

Model No. 产品规格	Dimension DxH(mm)	Rated Power 额定功率	Lumen Efficacy 光效	Color Temp. 色温	Cutout Size 开孔尺寸(mm)	PCS/CTN 装箱数量	CTN MEAS. 装箱尺寸(cm)
XGYSPLRR-PPDOB-E3/6 (DCCT)	Φ93*26.5	3/6W	80lm/w Module 105lm/W	3000K-6500K 3000/4000/6400K	Φ70-75	60	31.5*31*22
XGYSPLRR-PPDOB-E9/12 (DCCT)	Φ121*26.5	9/12W	80lm/w Module 105lm/W	3000K-6500K 3000/4000/6400K	Φ95-100	40	31.5*26.7*27.7
XGYSPLRR-PPDOB-E15 (DCCT)	Φ154*26.5	15W	80lm/w Module 105lm/W	3000K-6500K 3000/4000/6400K	Φ125-135	40	33.5*31.5*34
XGYSPLRR-PPDOB-E18 (DCCT)	Φ177*26.5	18W	80lm/w Module 105lm/W	3000K-6500K 3000/4000/6400K	Φ145-150	20	31.5*37.7*20.6
XGYSPLRR-PPDOB-E24 (DCCT)	Φ225*26.5	24W	80lm/w Module 105lm/W	3000K-6500K 3000/4000/6400K	Φ190-195	20	46.7*31.5*25.1
XGYSPLRS-PPDOB-E3/6 (DCCT)	93*93*26.5	3/6W	80lm/w Module 105lm/W	3000K-6500K 3000/4000/6400K	75*75	60	37.5*36.5*22
XGYSPLRS-PPDOB-E9/12 (DCCT)	122*122*26.5	9/12W	80lm/w Module 105lm/W	3000K-6500K 3000/4000/6400K	100*100	40	36.5*31*27.8
XGYSPLRS-PPDOB-E15 (DCCT)	155*155*26.5	15W	80lm/w Module 105lm/W	3000K-6500K 3000/4000/6400K	125*125	40	37.5*36.5*34.5
XGYSPLRS-PPDOB-E18 (DCCT)	170*170*26.5	18W	80lm/w Module 105lm/W	3000K-6500K 3000/4000/6400K	140*140	20	40.5*36.5*19.5
XGYSPLRS-PPDOB-E24 (DCCT)	220*220*26.5	24W	80lm/w Module 105lm/W	3000K-6500K 3000/4000/6400K	190*190	20	51.5*36.5*24.5

Slide Switch 3 CCT & Surface Mounting Frame are Optional / CTN MEAS are Based on Recess Models

LED Panels & Downlight



LED DOB Backlit



Installation:
Recessed & Suspended



IP54
Protection Level



3 Color in 1 Lamp
Choose By DIP Switch



19

CB CE ErP



No Flicker



Dimming
Option



Ra80|90



25000h



170-265V



For Indoor



120°



0.5



UGR<19

Model No. 产品规格	Dimension DxH(mm)	Rated Power 额定功率	Lumen Efficacy 光效	Color Temp. 色温	Cutout Size 开孔尺寸(mm)	PCS/CTN 装箱数量	CTN MEAS. 装箱尺寸(cm)
XGYSPLRR-PC-E5 (DCCT)	Φ95*26	5W	85/100 lm/W	3000K-6500K 3000/4000/6400K	Φ75-90	100	51*36*21.5
XGYSPLRR-PC-E9 (DCCT)	Φ120*26	9W	85/100 lm/W	3000K-6500K 3000/4000/6400K	Φ90-110	100	62*36*26
XGYSPLRR-PC-E12 (DCCT)	Φ45*26	12W	85/100 lm/W	3000K-6500K 3000/4000/6400K	Φ120-135	60	46*36*31.5
XGYSPLRR-PC-E18 (DCCT)	Φ170*26	18W	85/100 lm/W	3000K-6500K 3000/4000/6400K	Φ140-160	60	53*38*36
XGYSPLRR-PC-E24 (DCCT)	Φ220*26	24W	85/100 lm/W	3000K-6500K 3000/4000/6400K	Φ190-210	40	46*38*46
XGYSPLRS-PC-E5 (DCCT)	95*95*26	5W	85/100 lm/W	3000K-6500K 3000/4000/6400K	Φ75-90	100	51*36*21.5
XGYSPLRS-PC-E9 (DCCT)	120*120*26	9W	85/100 lm/W	3000K-6500K 3000/4000/6400K	Φ90-110	100	62*36*26
XGYSPLRS-PC-E12 (DCCT)	145*145*26	12W	85/100 lm/W	3000K-6500K 3000/4000/6400K	Φ120-135	60	46*36*31.5
XGYSPLRS-PC-E18 (DCCT)	170*170*26	18W	85/100 lm/W	3000K-6500K 3000/4000/6400K	Φ140-160	60	53*38*36
XGYSPLRS-PC-E24 (DCCT)	220*220*26	24W	85/100 lm/W	3000K-6500K 3000/4000/6400K	Φ190-210	40	46*38*46

LED Panels & Downlight



LED Small Panel Light



20



Suspended Mounting
- Standard



CB CE ErP



No Flicker



Non Dimming



Ra70/80



25000h



U:100V-240V



For Indoor



120°



0.5/0.9



UGR<19

Model No. 产品规格	Dimension DxH / LxWxH(mm)	Rated Power 额定功率	Lumen Efficacy 光效	Color Temp. 色温	Frame Color 外框颜色	PCS/CTN 装箱数量	CTN MEAS. 装箱尺寸(cm)
XGYSPLSR-ALU-E6 XGYSPLSS-ALU-E6	Φ120*28 120*120*28	6W	60lm/W	3000K-6500K	White Silver	60	41*39.5*27
XGYSPLSR-ALU-E12 XGYSPLSS-ALU-E12	Φ170*28 172*172*28	12W	65lm/W	3000K-6500K	White Silver	40	42*36.5*37
XGYSPLSR-ALU-E18 XGYSPLSS-ALU-E18	Φ223*28 220*220*28	18W	65lm/W	3000K-6500K	White Silver	20	47.5*41*24.5
XGYSPLSR-ALU-E24 XGYSPLSS-ALU-E24	Φ300*28 295*295*28	24W	60lm/W	3000K-6500K	White Silver	20	62.5*40*32



Recessed Mounting
- Standard

Model No. 产品规格	Dimension DxH / LxWxH(mm)	Rated Power 额定功率	Lumen Efficacy 光效	Color Temp. 色温	Frame Color 外框颜色	Cutout Size 开孔尺寸(mm)	PCS/CTN 装箱数量	CTN MEAS. 装箱尺寸(cm)
XGYSPLRR-ALU-E3 XGYSPLRS-ALU-E3	Φ85*12 85*85*12	3W	50lm/W	3000K-6500K	White Silver	Φ70	100	49*30.5*26
XGYSPLRR-ALU-E4 XGYSPLRS-ALU-E4	Φ109*12 105*105*12	4W	60lm/W	3000K-6500K	White Silver	Φ95	100	62.5*30.5*31.5
XGYSPLRR-ALU-E6 XGYSPLRS-ALU-E6	Φ120*12 120*120*12	6W	60lm/W	3000K-6500K	White Silver	Φ105	100	62.5*30.5*31.5
XGYSPLRR-ALU-E9 XGYSPLRS-ALU-E9	Φ145*12 145*145*12	9W	60lm/W	3000K-6500K	White Silver	Φ135	40	42.5*30.5*37.5
XGYSPLRR-ALU-E12 XGYSPLRS-ALU-E12	Φ172*12 172*172*12	12W	60lm/W	3000K-6500K	White Silver	Φ155	40	42.5*30.5*37.5
XGYSPLRR-ALU-E15 XGYSPLRS-ALU-E15	Φ192*12 192*192*12	15W	60lm/W	3000K-6500K	White Silver	Φ175	30	47*45*27
XGYSPLRR-ALU-E18 XGYSPLRS-ALU-E18	Φ220*12 220*220*12	18W	55lm/W	3000K-6500K	White Silver	Φ205	30	47*45*27
XGYSPLRR-ALU-E24 XGYSPLRS-ALU-E24	Φ300*12 300*300*12	24W	55lm/W	3000K-6500K	White Silver	Φ280	20	62.5*31*34

LED Panels & Downlight



LED Downlight



Installation
Recessed



IP44
Protection Level

3000K

4000K

6500K

22



D60



D75



D90

CB CE ErP 



No Flicker



0-100%



Ra80



25000h



S:220V-240V



For Indoor



0.5



UGR<19

Model No. 产品规格	Dimension DxH(mm)	Rated Power 额定功率	Lumen 流明	Color Temp. 色温	Beam Angle 光束角度	Cutout Size 开孔尺寸(mm)	PCS/CTN 装箱数量	CTN MEAS. 装箱尺寸(cm)
XGYDL-D60-E8-CCT	Φ104*97	8W	720 lm	3000/4000/6500K	60°	Φ90	30	42.5*28.5*55
XGYDL-D75-E9-CCT	Φ112*70	9W	820 lm	3000/4000/6500K	75°	Φ90	30	42.5*28.5*40.5
XGYDL-D90-E9-CCT	Φ115*60	9W	820 lm	3000/4000/6500K	90°	Φ90	40	50*33.6*26.5

LED Panels & Downlight



LED Triospot Light



Dimmer Dim to Warm
(Brightness & CCT Change Together)

23



Circular Base

Fittings



Retangular Base



No Flicker



Dimmable Option



Ra80



25000h



220-240V
100-120V



For Indoor



40°



0.7

Model No. 产品规格	Dimension AxHxB(mm)	Rated Power 额定功率	Lumen Efficacy 光效	Color Temp. 色温	IP Level 防护等级	PCS/CTN 装箱数量	CTN MEAS. 装箱尺寸(cm)
XGYTC01-E15 (3 Heads Circular Base)	Φ175x125	15W	100lm/W	2700K-6500K (3W-15W)	IP20	27	57x57x40.5
XGYTC02-E15 (3 Heads Retangular Base)	320x125x32	15W	100lm/W	2700K-6500K (3W-15W)	IP20	32	55x53x36

⊗ Lumen Efficacy | Max CCT is Customizable

LED Panels & Downlight



Triospot Light



24



YX04



YX01



YX02



YX03

CB CE ErP   FC

Model No. 产品规格	Dimension LxW(mm)	Light Source 光源	Frame Color 外框颜色	IP Level 防护等级	PCS/CTN 装箱数量	CTN MEAS. 装箱尺寸(cm)
XGYTC-YX01	Φ90	E14	Black	IP20	12	32*22*26
XGYTC-YX02	200*60*25	E14	Black	IP20	8	28*23*26
XGYTC-YX03	Φ200	E14	Black	IP20	8	44*44*26
XGYTC-YX04	560*60*25	E14	Black	IP20	8	59*38*26